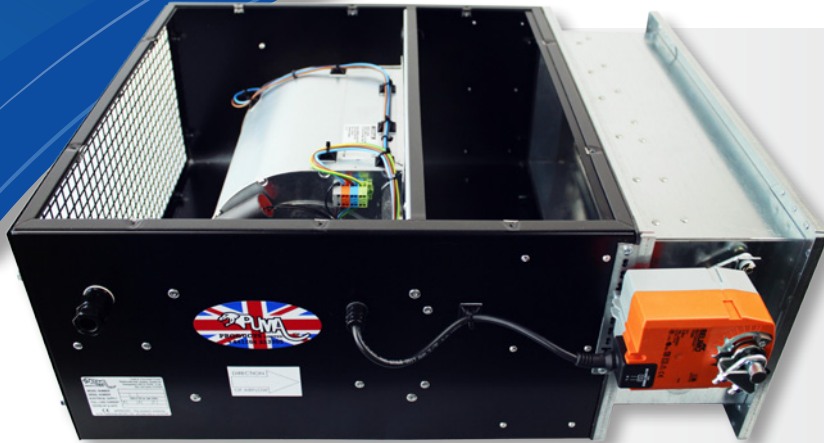


# Post Discharge Fire Extinguishant Extract Units Direct Driven Range

## Bespoke Fire Extinguishant Gas Extract Units for Data or Server Rooms



### Internal Duct Mounted Unit

- Monocoque construction - single skin
- Ral 9005 satin black powder coat finish
- Top or bottom access lid
- Vertical / ceiling mounting
- Internal flange duct connections
- Fully sealed 2hr fire/smoke damper (FSD)

*Options and Accessories available on request*

### Weatherproof Roof Mounted Unit

- Channel & Tray construction
- RAL 5017 mid blue powder coat finish
- Top access pitched lid
- Weather cowl on discharge
- Ducted both ends version available
- External flange duct connection
- Internal fire/smoke damper available (FSD)



**Fire Extinguishant Extract Units** (denoted **FE**) models are selected for Electronic Data Processing areas (EDP) to extract harmful fire extinguishing gases. Refer to BS ISO 14520 & BS EN 15004-1:2008 Section 5.1

Fitted as standard with 2 Hr rated (BS EN 1634-1:2008) fully sealed damper & motor, (power open spring return), and a single or three phase, double inlet direct driven centrifugal fan.

Pre-wired to terminal block for mains supply and Volt Free Contacts (VFC) for airflow indication normally interlocking with fire detection panel or BMS.

*Ventilate your environment with*

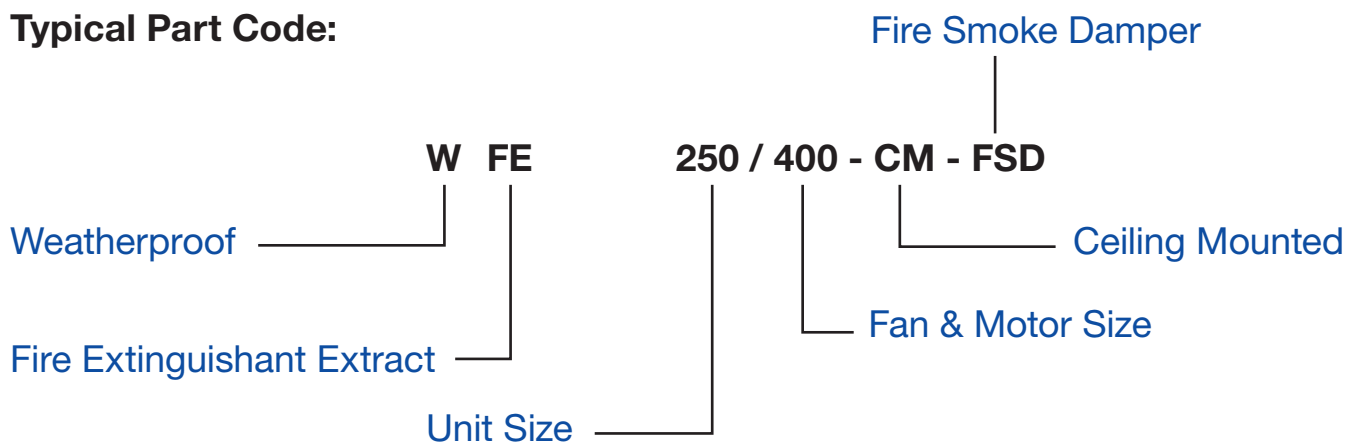


**PUMA FIRE**

# Performance Data

Model Number	Duty in m3/sec @ given External Static Pressure (Pa)											
	0	50	75	100	125	150	200	250	300	350	400	450
FE 200/200	0.1	0.09	0.08	0.08	0.07	0.07	0.06	0.05	0.01	-	-	-
FE 200/250	0.12	0.11	0.1	0.095	0.09	0.085	0.08	0.07	0.06	-	-	-
FE 200/300	0.15	0.14	0.13	0.125	0.12	0.11	0.1	0.09	0.085	0.06	-	-
FE 250/400	0.2	0.2	0.18	0.17	0.16	0.15	0.13	0.1	0.07	-	-	-
FE 250/600	0.27	0.26	0.25	0.24	0.23	0.22	0.21	0.19	0.17	-	-	-
FE 300/700	0.36	0.33	0.33	0.33	0.32	0.31	0.3	0.26	0.26	0.25	0.21	-
FE 350/850	0.85	0.8	0.78	0.78	0.78	0.78	0.77	0.77	0.77	0.77	0.76	0.72
FE 400/1800	0.95	0.9	0.89	0.89	0.89	0.88	0.83	0.81	0.76	0.68	-	-
FE 450/2500	1.27	1.2	1.1	1.07	1.03	0.97	0.89	0.84	0.72	0.55	-	-

## Typical Part Code:



**PUMAFIRE**

Over 35 years supplying the  
Fire Suppression and Ventilation Industry

# Electrical and Sound Data

Model Number	Motor Running Current (Amps)	Motor Starting Current (Amps)	Motor Power (Watts)	Induct Sound Power Levels dBW @ Octave Band Mid Frequency Hz								Breakout Noise Level dBA*	
				63	125	250	500	1K	2K	4K	8K	SSK	DSK
FE 200/200	0.3	0.75	67	32	34	46	55	56	54	51	50	40	25
FE 200/250	0.44	1.1	99	25	29	38	43	39	40	34	26	36	21
FE 200/300	0.8	2.0	175	63	57	55	54	54	47	41	32	44	29
FE 250/400	0.8	2.0	190	40	44	46	52	52	50	45	41	41	26
FE 250/600	0.86	-	273	68	62	61	61	59	54	47	37	48	33
FE 300/700	1.33	-	00									54	39
FE 350/850	1.9	-	184	67	69	70	69	66	62	59	54	44	29
FE 400/1800	4.2	-	550	76	74	66	64	60	57	49	41	53	38
FE 450/2500	6.8	-	550	80	78	70	68	64	61	53	45	61	46

\* The dBA quoted is the mean 'A' weighted sound pressure level measured at a distance of 3m. It is included for comparative purposes only, and the actual sound level experienced will depend on the acoustic characteristics of the area being served. Ductwork and Silencers also have a major influence on breakout noise and actual noise levels in the system.

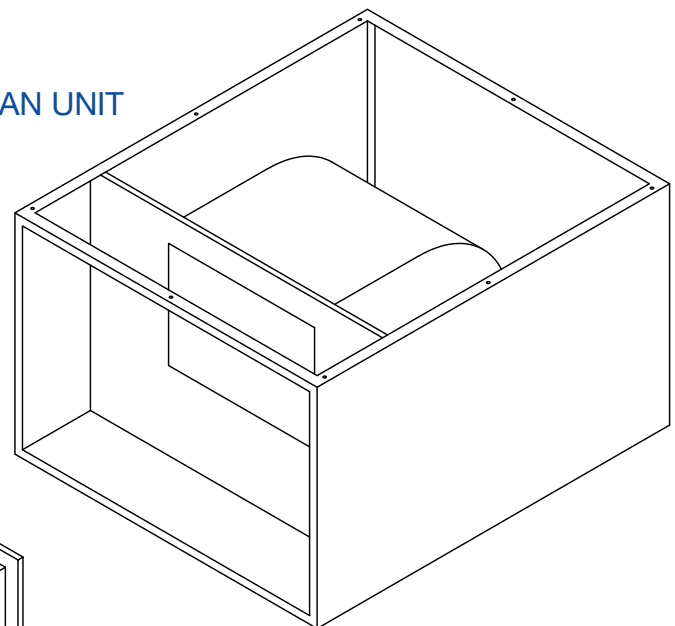
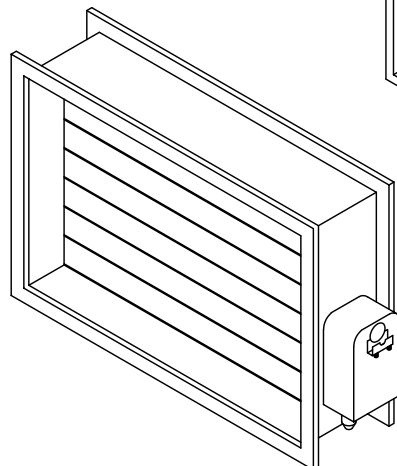
\*\* 380/415 V ac Three Phase Motor

## Options and Accessories

- SSK** Single Skin
- FSD** Fire / Smoke Damper & Motor
- TD** Telescopic Duct
- WL** Weather Louvre
- VM** Vertically Mounted
- CM** Ceiling Mounted

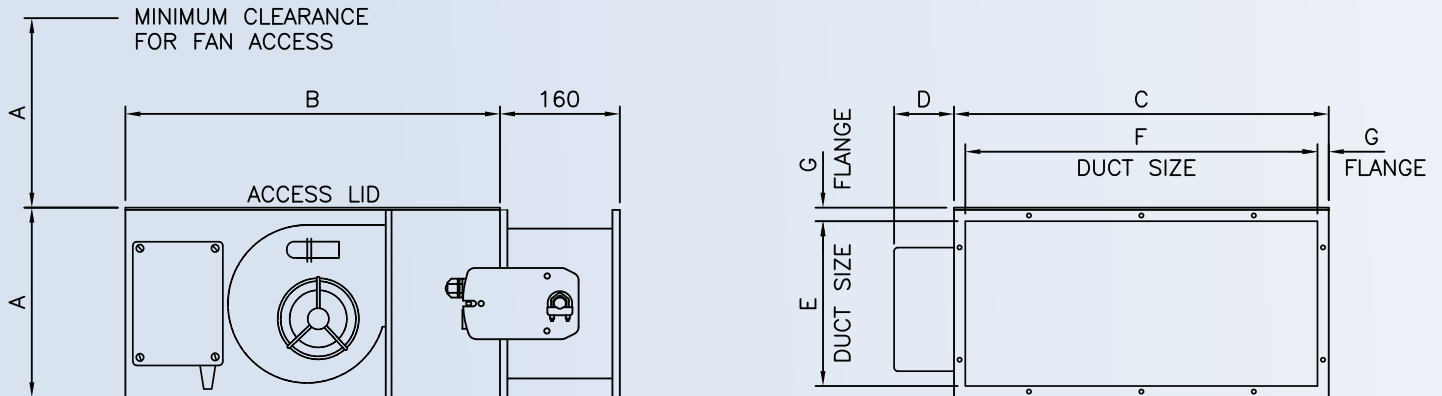
FAN UNIT

FSD

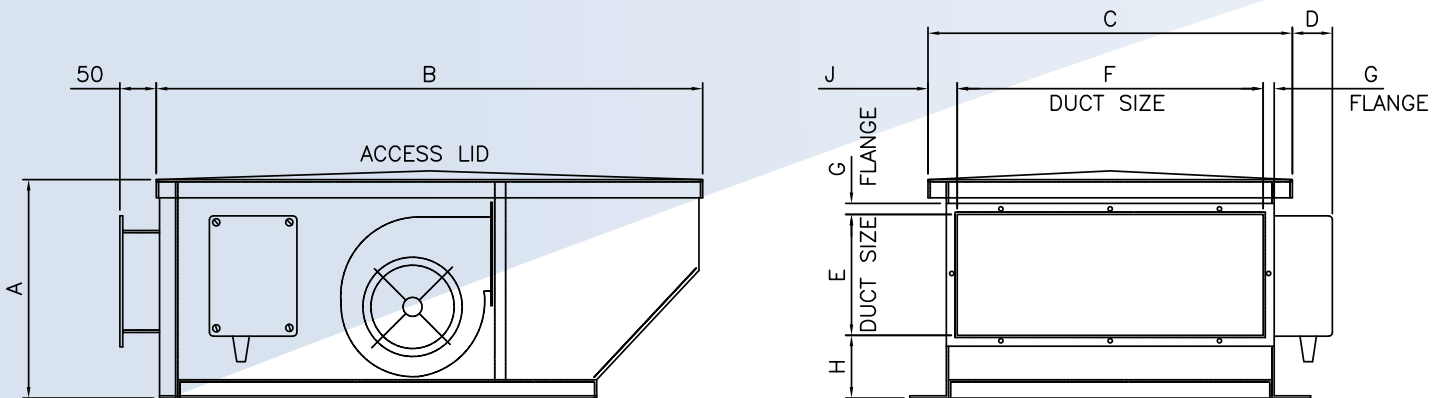


# Dimensional Data

## Internal Duct Mounted Unit



## Weatherproof Roof Mounted Unit



Model Number	Dimensions in Millimetres									
	A	B	C	D	E	F	G	H	J	WEIGHT
<b>FE 200</b>	200	450	450	100	166	420	15	-	-	20 Kg
<b>FE 250</b>	250	500	500	100	220	470	15	-	-	25 Kg
<b>FE 300</b>	300	600	500	100	260	460	20	-	-	30 Kg
<b>FE 350</b>	350	700	600	175	310	560	20	-	-	40 Kg
<b>FE 400</b>	415	700	600	175	375	560	20	-	-	50 Kg
<b>FE 450</b>	450	700	700	175	410	660	20	-	-	60 Kg
<b>WFE 200</b>	225	650	500	75	126	314	13	50	93	25 Kg
<b>WFE 250</b>	300	750	500	75	166	420	15	86	40	35 Kg
<b>WFE 300</b>	350	800	600	75	166	420	15	125	90	40 Kg
<b>WFE 350</b>	400	850	700	75	220	470	15	135	115	45 Kg
<b>WFE 400</b>	450	950	800	150	260	460	20	155	170	60 Kg
<b>WFE 450</b>	500	1000	800	150	310	560	20	120	120	70 Kg



Unit C, Alexander Bell Centre, Hopkinson Way, West Portway, Business Park, Andover, Hampshire, SP10 3UR, England  
 Telephone: +44 (0) 1264 333305 Email: sales@pumafire.co.uk